

## DOT 200x35 N DEEP MARKING

### BENCHTOP SYSTEMS · DOT PEEN MARKING

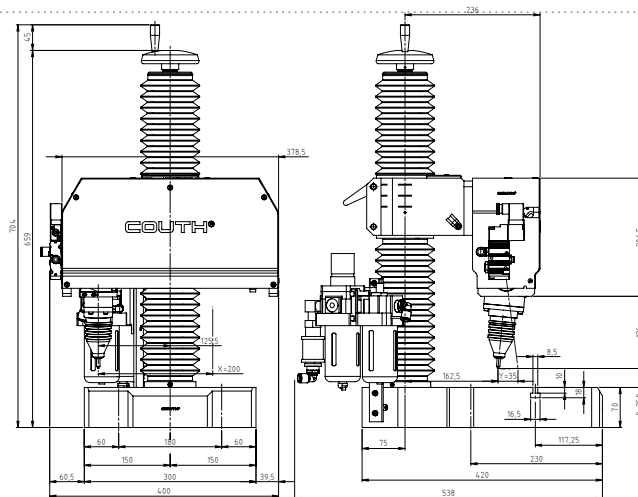
- Dot peen marking station, **autonomous**, with height regulation, for **deep marking**. Especially designed for marking small batches and changing productions of **pieces with treatment afterward**, (blasting, machining, grinding, painting, etc.).



### ADVANTAGES

- **Very deep mark**, more than 0.5 mm, at optimum speed.
- **Highly robust, long-lasting and resistant**, especially designed for the most demanding industrial settings - heavy duty industry.
- Marking for **all kinds of materials and hardnesses**, up to 62HRC.
- **Versatility in the size of the pieces to be marked**, thanks to regulation up to 250 mm in height, so you can mark everything from thin sheets to large pieces, including fastening.
- Machined work surface, guaranteeing **precision** in marking.
- T-slot to facilitate **tool placement**.
- Possibility of anchoring the table to a surface for **greater stability**.

Area	Dimensions (mm)			Weight
	X x Y	Width	Depth	
200 x 35	400	538	704	50.5



### CHARACTERISTICS

- Table for placing tools and plate stand.
- Column with height regulation up to 250 mm
- 200 x 35 mm marking area.
- Speed up to 4 characters/second (large characters)
- 6-bar air pressure.
- Hardness of materials to mark up to 62HRC.
- Wide range of characters, from 0.1 mm to complete area.
- Marking alphanumeric codes, logotypes, DATAMATRIX™, QR codes, etc.
- N34 pneumatic header, special for deep marking, and optional N20 pneumatic header.
- Protection system option.
- 2.5-meter robotics cable, with customisation possibilities.
- Connection with COUTH control unit for integration into production lines (see technical file for more information).
- PC edition software.